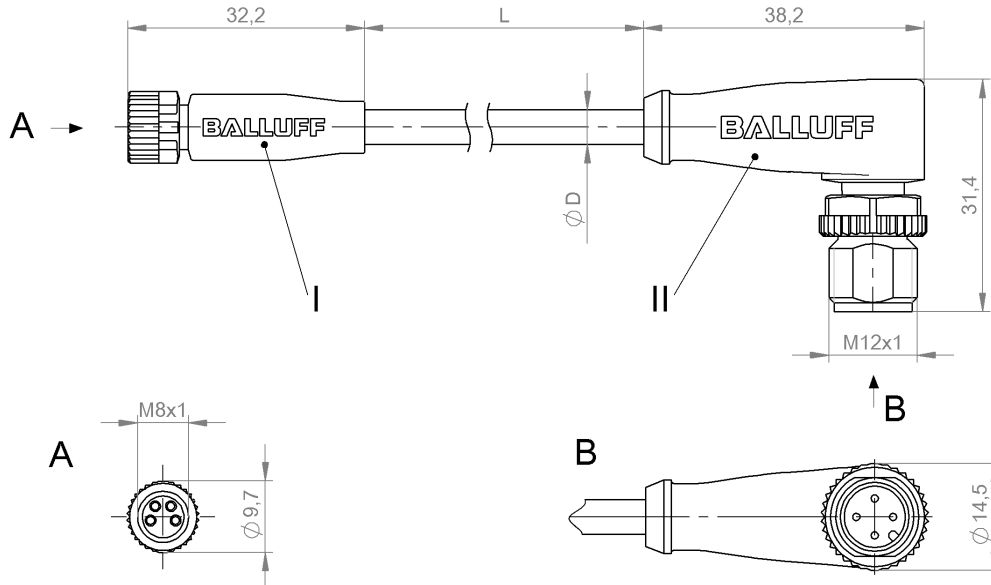


Double-Ended Cordsets  
**BCC M314-M424-3E-304-EX44T2-003**  
**Order Code: BCC0J97**

**BALLUFF**



**Basic features**

Approval/Conformity	CE cULus WEEE
---------------------	---------------------

**Electrical connection**

Bending radius min., fixed cable	5 x D
Bending radius min., flexible cable	10 x D
Cable	TPE Yellow, 0.3 m, drag chain compatible
Cable diameter D	5.30 mm ±0.13 mm
Cable, bending cycles min.	10 mil.
Conductor cross-section	22 AWG
Connection 1	M8x1-Female, straight, 4-pin, A-coded
Connection 2	M12x1-Male, angled, 4-pin, A-coded
Number of conductors	4
System	Molded/Molded

**Electrical data**

Cable rated voltage AC max.	300 V
Cable rated voltage DC max.	300 V
Operating voltage Ub	60 VDC / 60 VAC
Rated current (40 °C)	4.0 A

**Remarks**

Cable construction acc. to UL-AWM Style 20327  
 Flame resistance acc. to IEC 332-2  
 Enclosure rating per IEC 60529 or 20653, only in screwed state with the associated mating piece.

**Environmental conditions**

Cable temperature, fixed routing	-50...105 °C
Cable temperature, flexible routing	-25...105 °C
IP rating	IP67, IP69K/IP67, IP68, IP69K

**Interface**

Switching output	Complementary
------------------	---------------

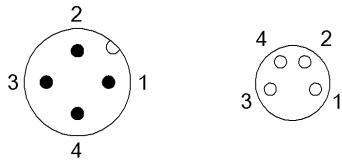
**Material**

Cable jacket, material	TPE
Material contact carrier	PUR/PUR
Material contacts	Bronze/Brass
Material cover nut	Die-cast zinc or nickel plated brass/Die-cast zinc
Material grip	PUR/PUR

**Mechanical data**

Cable jacket, color	Yellow
Cable length L	0.30 m
Cable properties	drag chain compatible
Tightening torque pigtail	0.4 Nm/0.6 Nm

## Connector Drawings



II

PIN 1: brown

PIN 2: white

PIN 3: blue

PIN 4: black

I

PIN 1: brown

PIN 2: white

PIN 3: blue

PIN 4: black

## Wiring Diagrams

